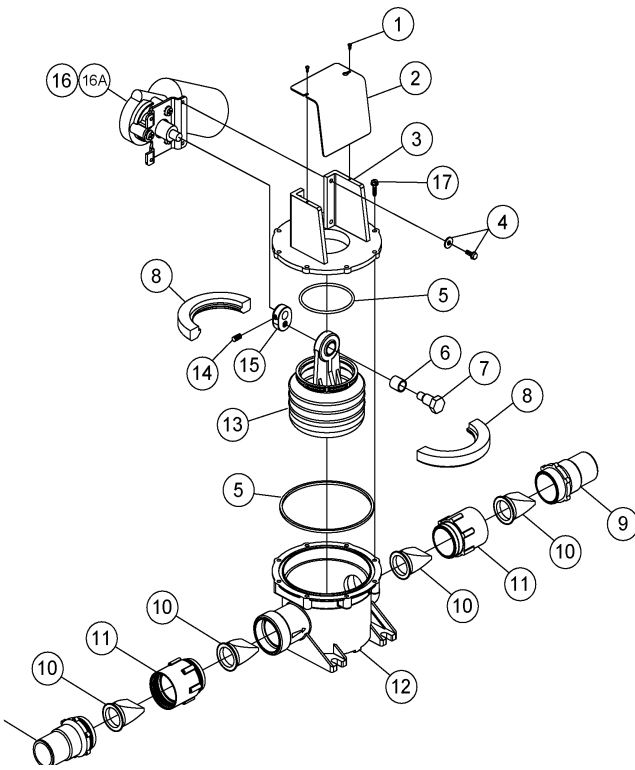


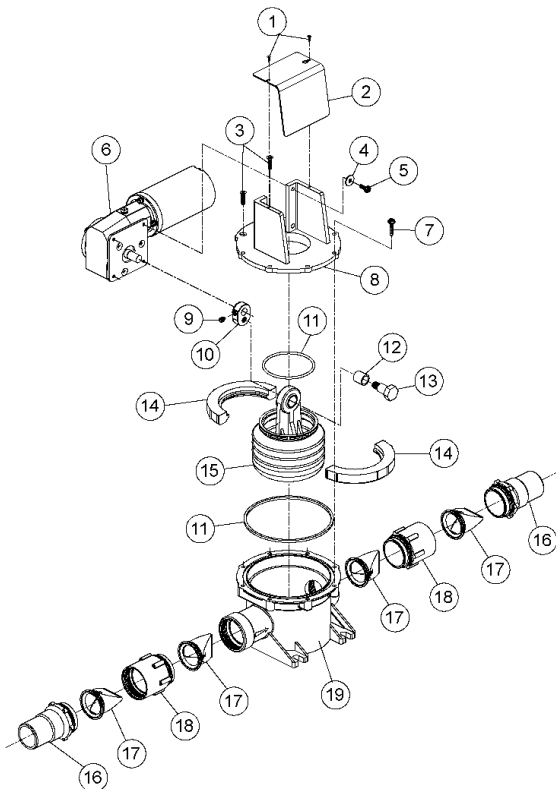
PARTS LIST - VACUFLUSH VACUUM PUMP S & Q SERIES

S-Series Vacuum Pump



ITEM	PART NO.	DESCRIPTION
1	600340237	COVER SCREW, #4 X 3/8" PAN HD SS
2	385640239	PUMP COVER
3	600341506	TOP CLOSURE
4	600342332	HEX HEAD SCREW, #10-32 X 1/2" SS
5	385310151	O-RING REPLACEMENT KIT
6	600340664	BUSHING, BELLOWS
7	600343006	HEX HEAD SHOULDER SCREW, 1/2"X.687X3/8"-16
8	600347807	BELLOWS CLAMP
9	600347800	VALVE NIPPLE
10	385347802	DUCKBILL VALVE 1/2" (2)
11	600347801	VALVE ADAPTER
12	600341504	PUMP BODY
13	385230980	BELLOWS ASSEMBLY (INCL. ITEM 6)
14	600347788	SET SCREW, 1/4 -28 X 5/16", 1/2" DOG POINT
15	600344470	ECCENTRIC
16	385310245	MOTOR-12VDC
16A	385310246	MOTOR-24VDC
17	600341503	HEX WASHER HEAD SCREW #10-12 X 7/8", SS
-	385310249	PUMP ASSEMBLY LESS MOTOR (INCLUDES ITEMS 3, 5, 6, 8 THROUGH 13)

Q-Series Vacuum Pump



ITEM	PART NO.	DESCRIPTION
1	600340237	COVER SCREW, #4 X 3/8" PAN HD SS
2	385640239	PUMP COVER
3	600344818	SCREW, #10-24X7/8" PHILLIPS HEAD SS
4	600344087	WASHER, #10 X 5/8", SS
5	600342332	HEX HEAD SCREW, #10-32 X 1/2" SS
6	385311065	KIT, Q-SERIES MOTOR REPLACEMENT, 12VDC
6A	385311066	KIT, Q-SERIES MOTOR REPLACEMENT, 24VDC
7	600341503	HEX WASHER HEAD SCREW #10-12 X 7/8", SS
8	600341506	TOP CLOSURE
9	600347788	SET SCREW, 1/4"-28 X 5/16", 1/2" DOG POINT
10	600344470	ECCENTRIC
11	385310151	KIT, O-RING REPLACEMENT
12	600340664	BUSHING, BELLOWS
13	600343006	HEX HEAD SHOULDER SCREW, BRASS
14	600347807	BELLOWS CLAMP
15	385230980	BELLOWS ASSEMBLY
16	600347800	VALVE NIPPLE
17	385310076	VALVE, DUCKBILL 1-1/2" (2)
18	600347801	VALVE ADAPTER
19	600341504	PUMP BODY